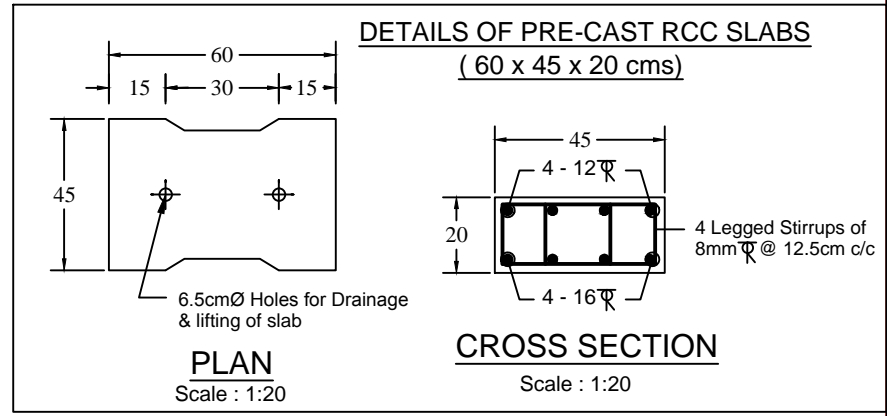
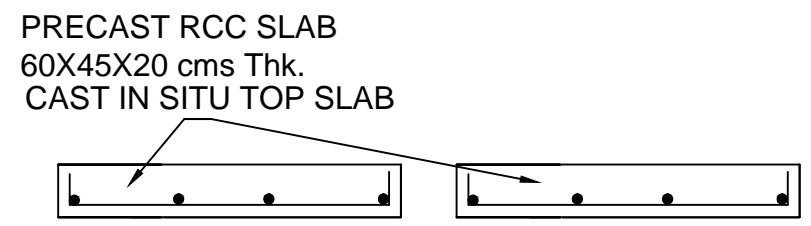
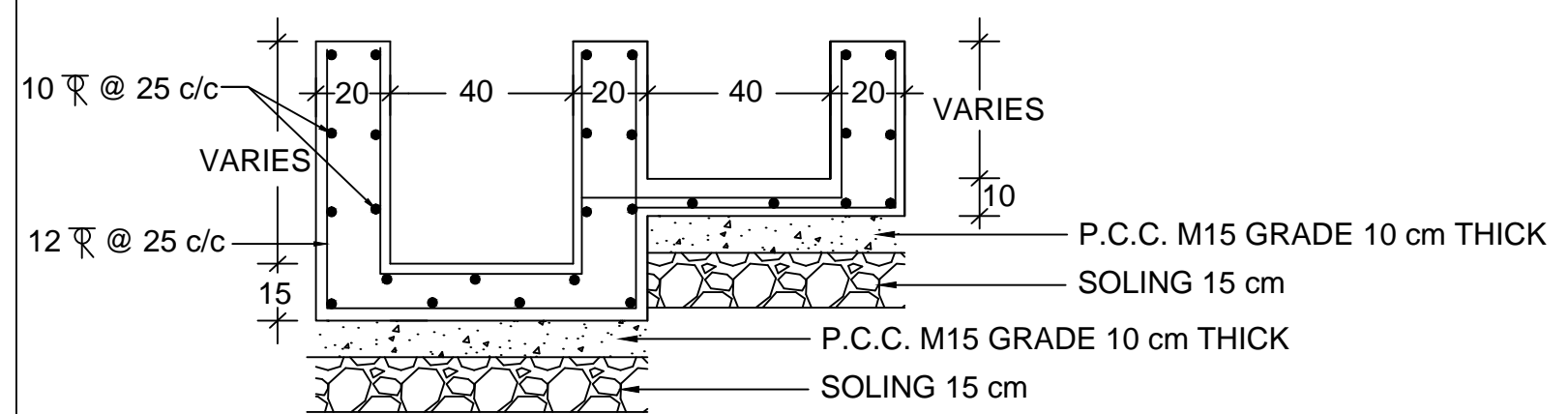



CROSS SECTION
Scale : 1:25



NOTE:
ALL WRITTEN DIMENSIONS ARE IN CMS UNLESS OTHERWISE SPECIFIED .



DETAILS OF R.C.C. DRAIN CUM CABLE TRENCH
Scale : 1:20

SCALE: AS SHOWN		 MORMUGAO PORT TRUST	
REVISION	DATE	DRN:-	
		CHD:-	
		AEN (D#D):	
		XEN(D):-	
EXTENSION OF LOADING PLATFORM ALONG RAILWAY TRACK NO. 8A.		DATE: -	
		27/07/2018	
		DWG. NO.	
		M/1416	